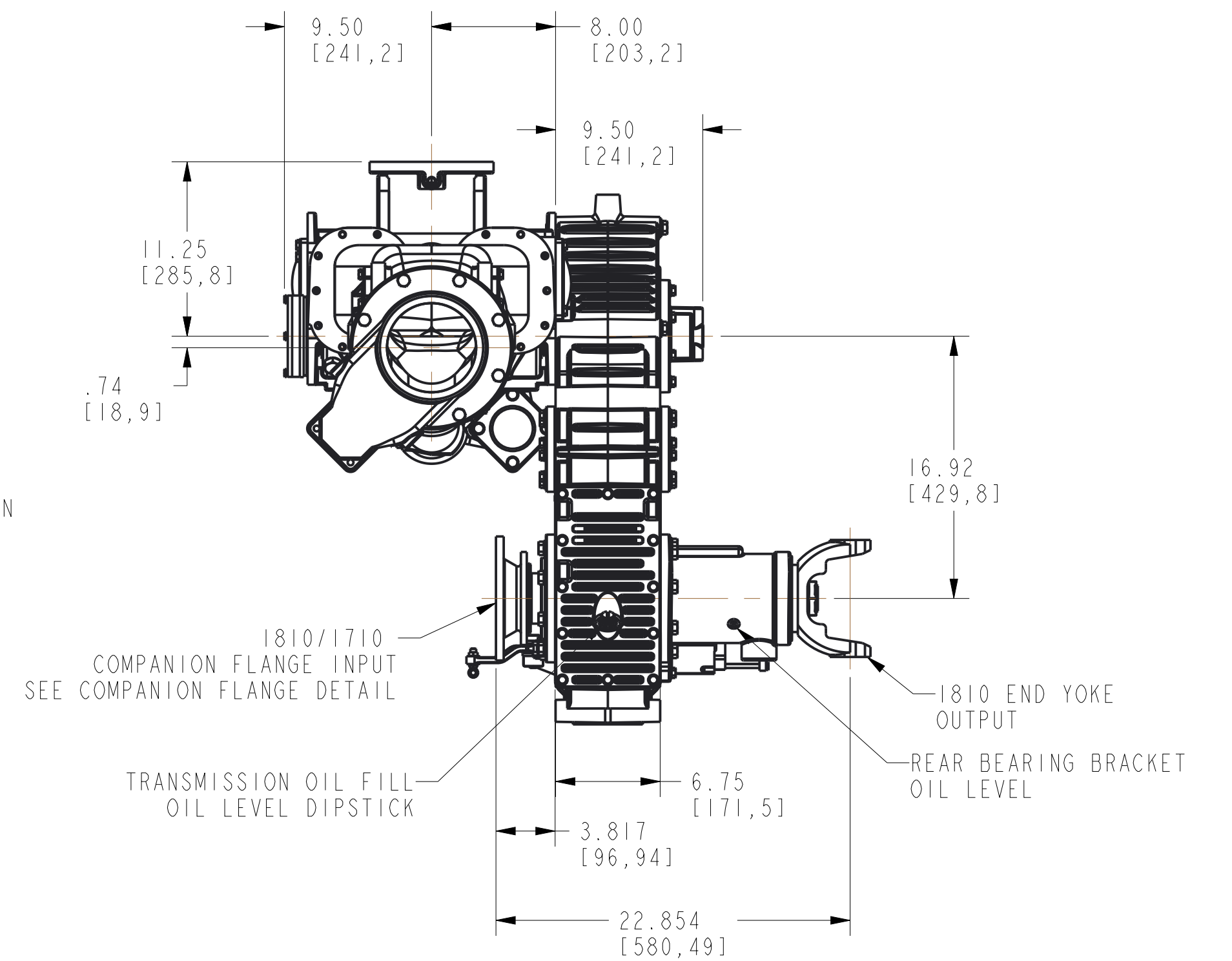
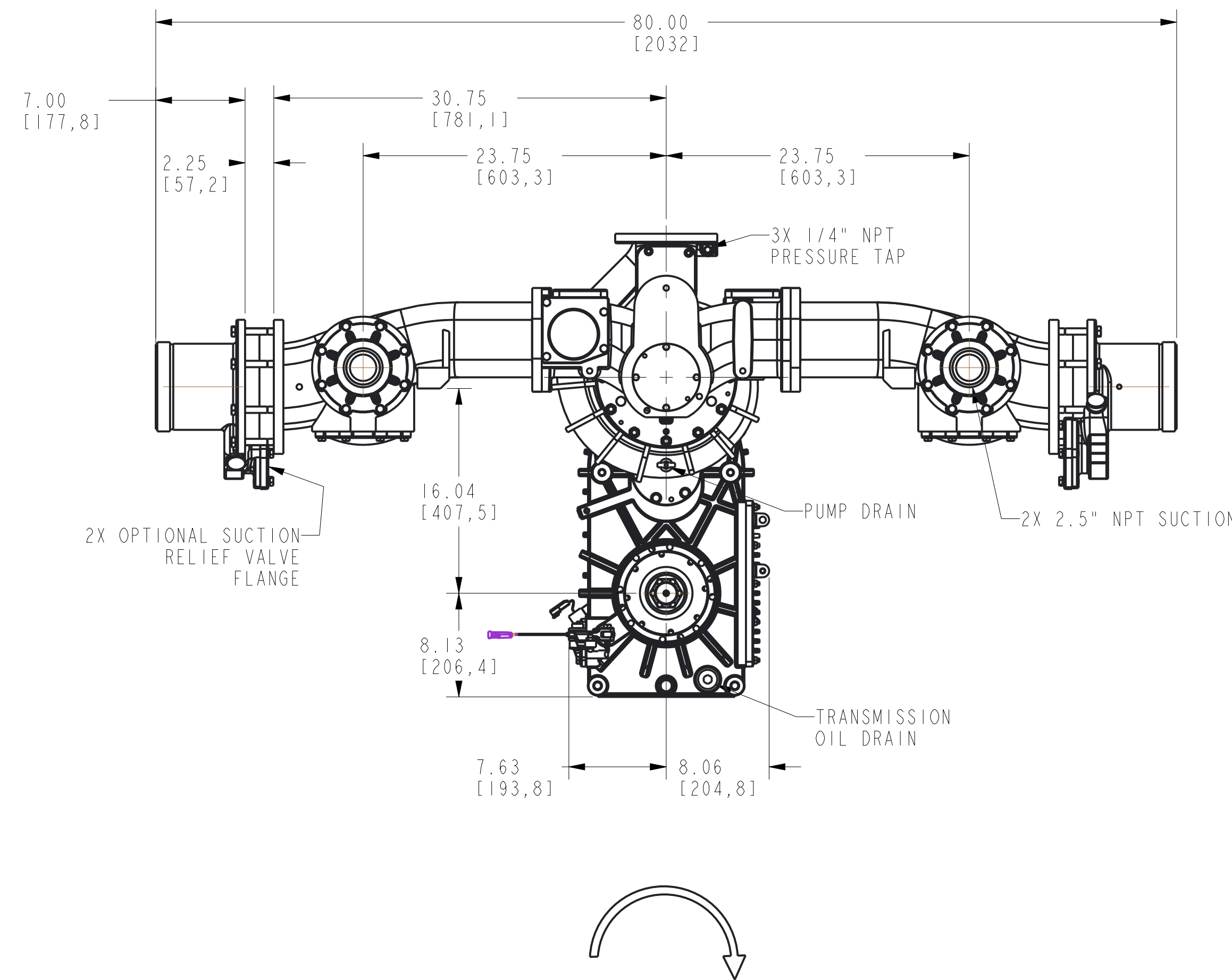
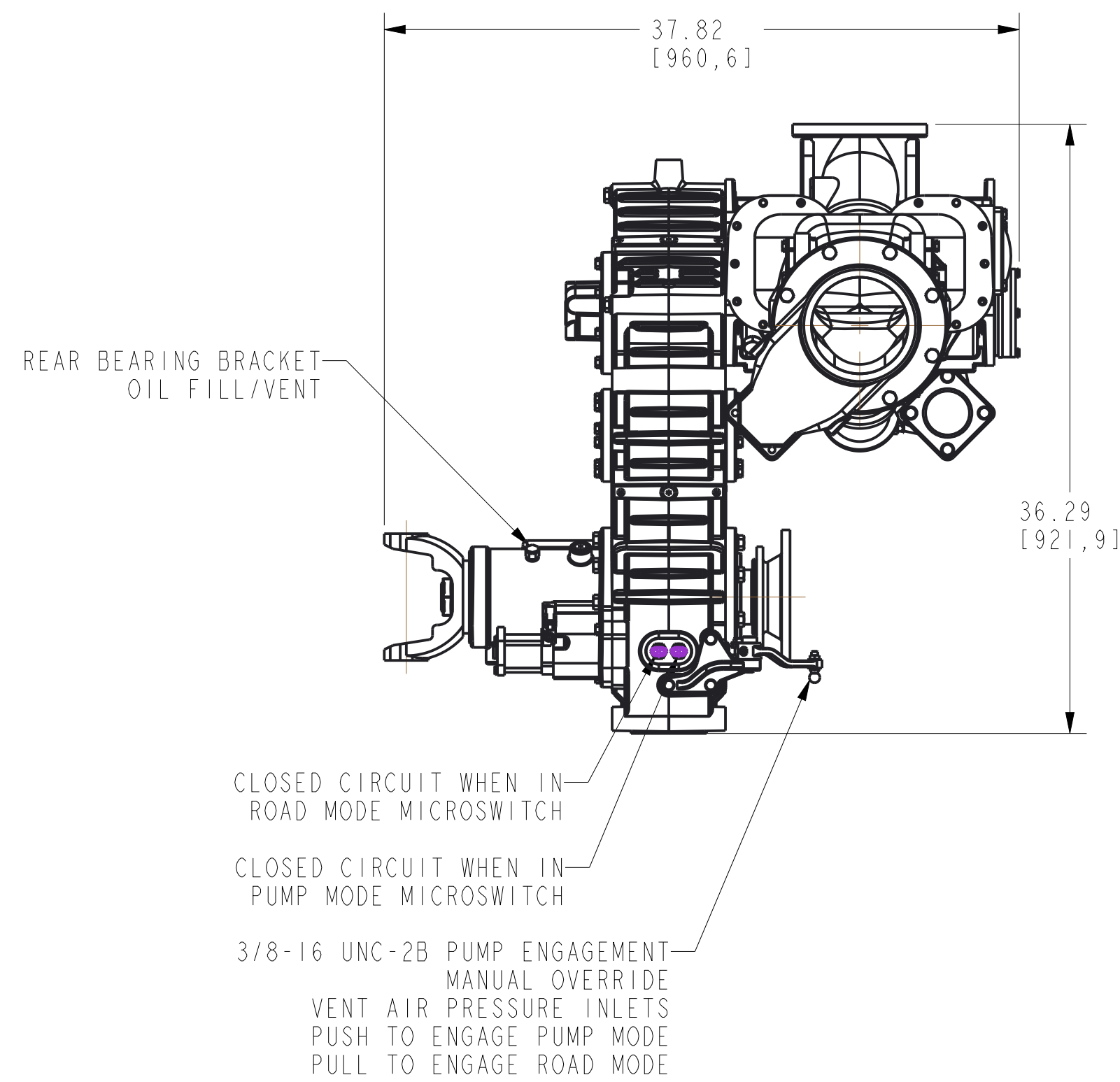
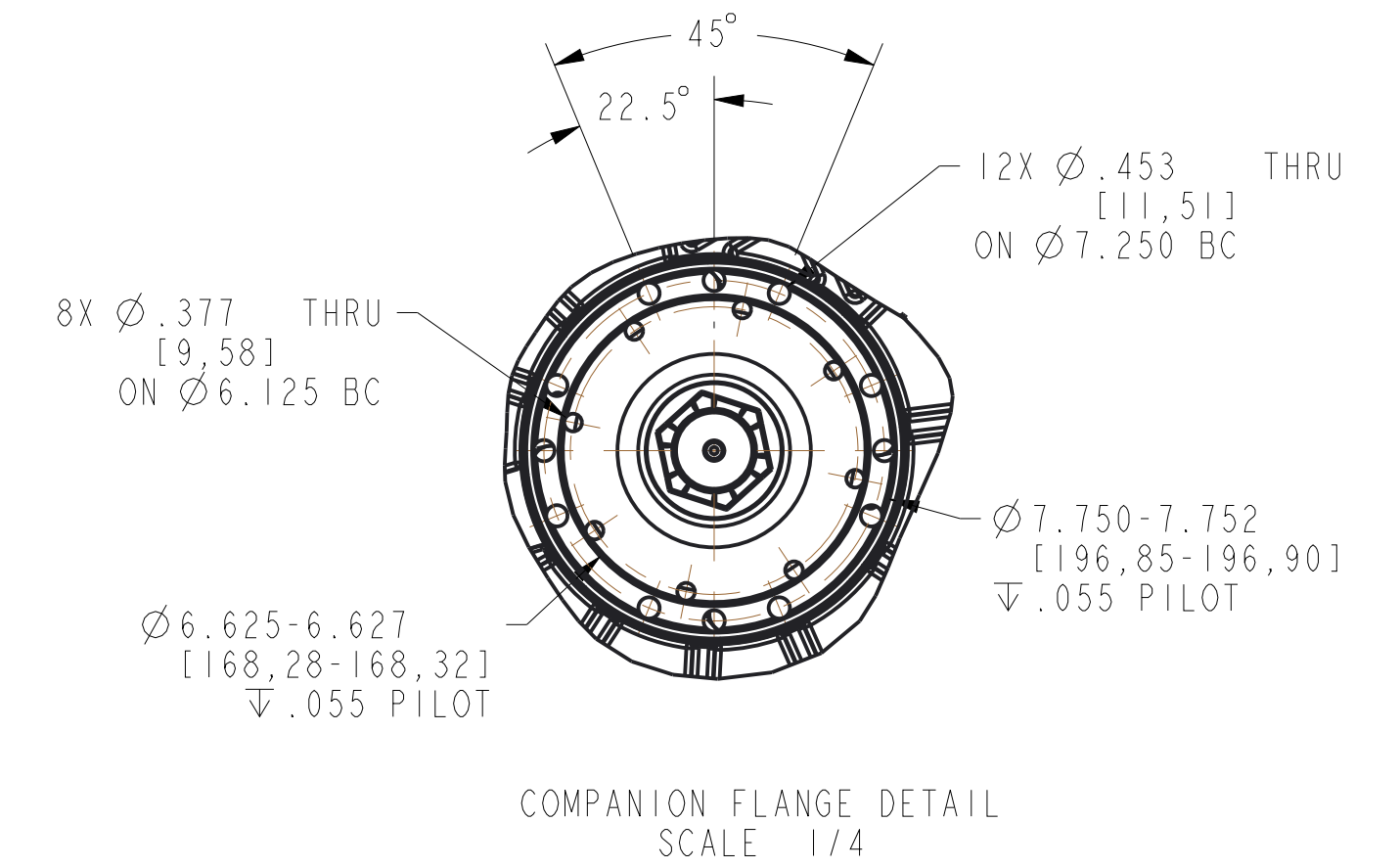
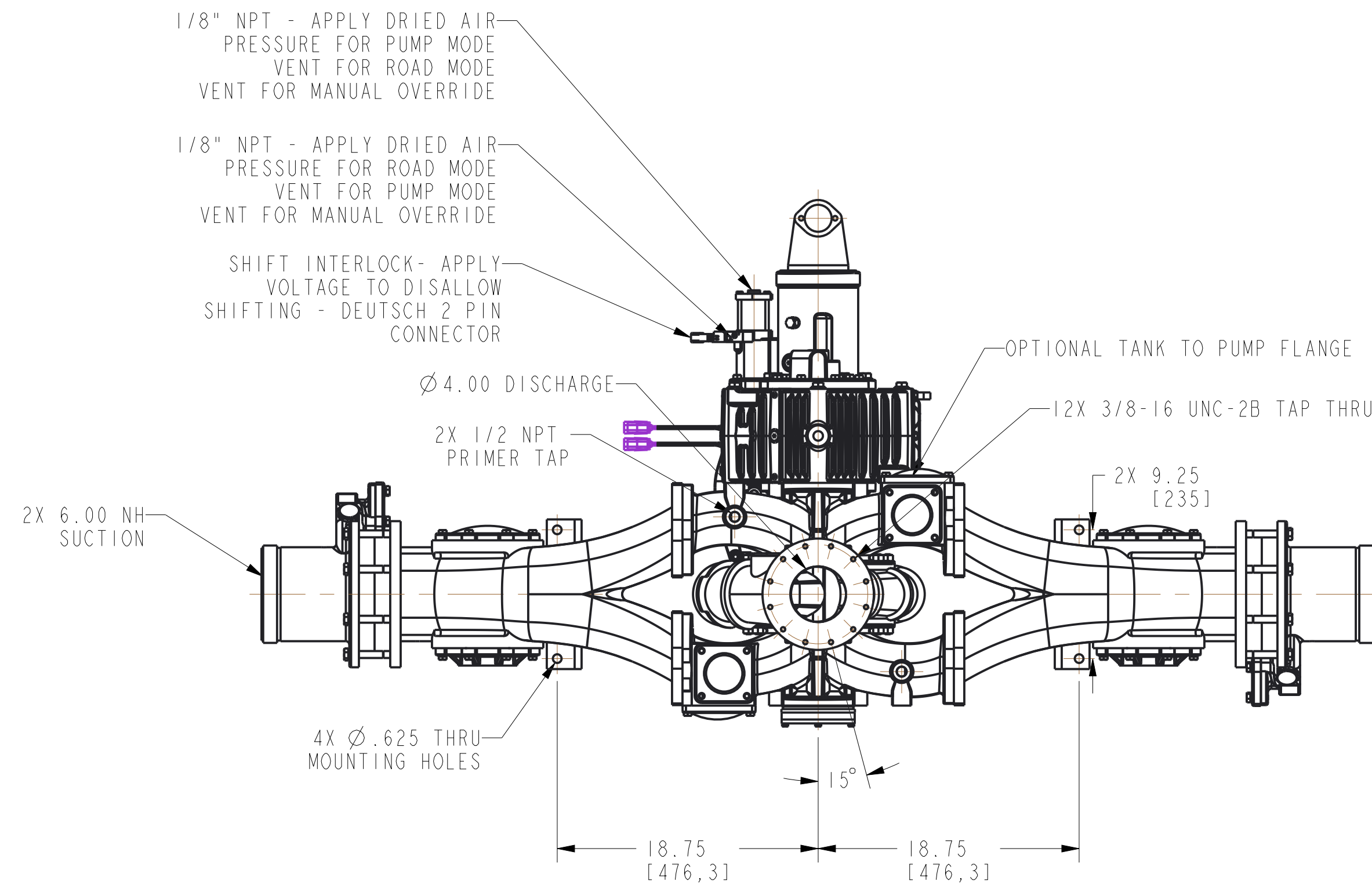
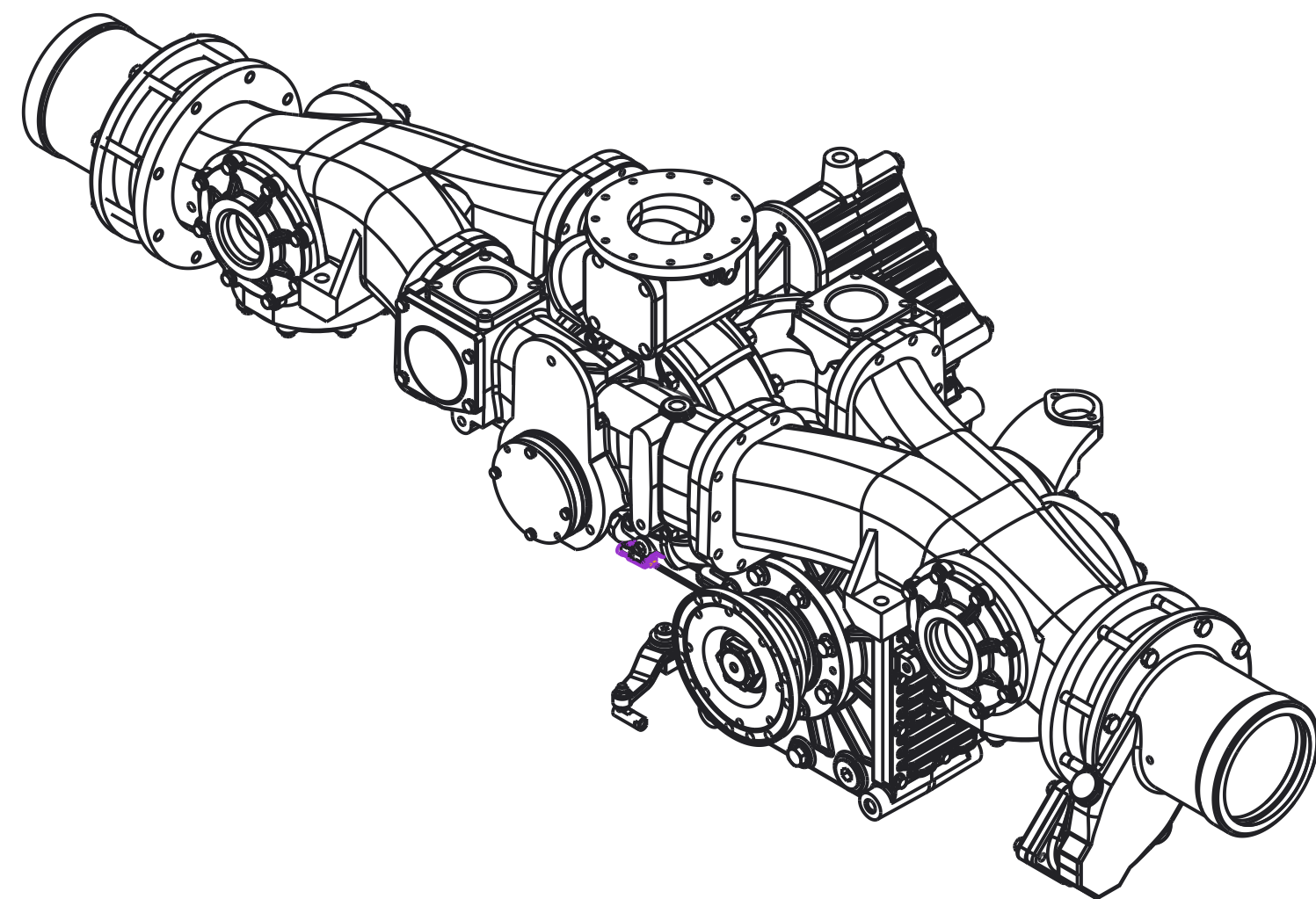


NOTES:
 1) APPROXIMATE WEIGHT = 1025 LBS [465 KG]
 2) ONLY SHIFT PUMP WHEN DRIVELINE IS NOT SPINNING

REF NOTE: ASSEMBLIES SHOWN
 AH00600 - SHIFT INTERLOCK
 TM00612 - TRANSMISSION
 PL00600 - PUMP ASSEMBLY
 KR07108 - 2.66 GEAR RATIO
 2105703 - SUCTION NIPPLE
 YF06600 - SUCTION NIPPLE FLANGE
 VR00401 - RELIEF VALVE FLANGE
 4822411 - INPUT COMP FLANGE
 4813620 - OUTPUT YOKE
 YF02300 - BLANK FLANGE
 YF01900 - 2.5 NPT FLANGE
 YF06400 - BLANK FLANGE

REVISIONS				
LTR	DESCRIPTION	DATE	CHG NO.	APPR'D



CLOCKWISE ROTATION REQUIRED WHEN VIEW PUMP FROM THE FRONT OF THE TRUCK

REMOVE SHARP EDGES	INCH [MILLIMETER]	OLD PART NO.	TOLERANCE EXCEPT AS NOTED	W.S. Darley & Co. ITASCA, IL - CHIPPEWA FALLS, WI
MATERIAL DESCRIPTION:	MATERIAL NO.	PATTERN NO.	00 ±.03 .000 ±.010 ANGLES ±1°	DWG - LDMX-MT, FORWARD DIMENSIONAL
THIS DESIGN IS THE PROPERTY OF W.S. DARLEY AND CO. UNAUTHORIZED REPRODUCTION IS PROHIBITED	ALL DIMENSIONS IN INCHES UNLESS NOTED	DO NOT SCALE PRINT	DR: N. SMS CHKD: PWS TRCD:	DATE 21-Aug-20 SCALE 1/8

DLD2304